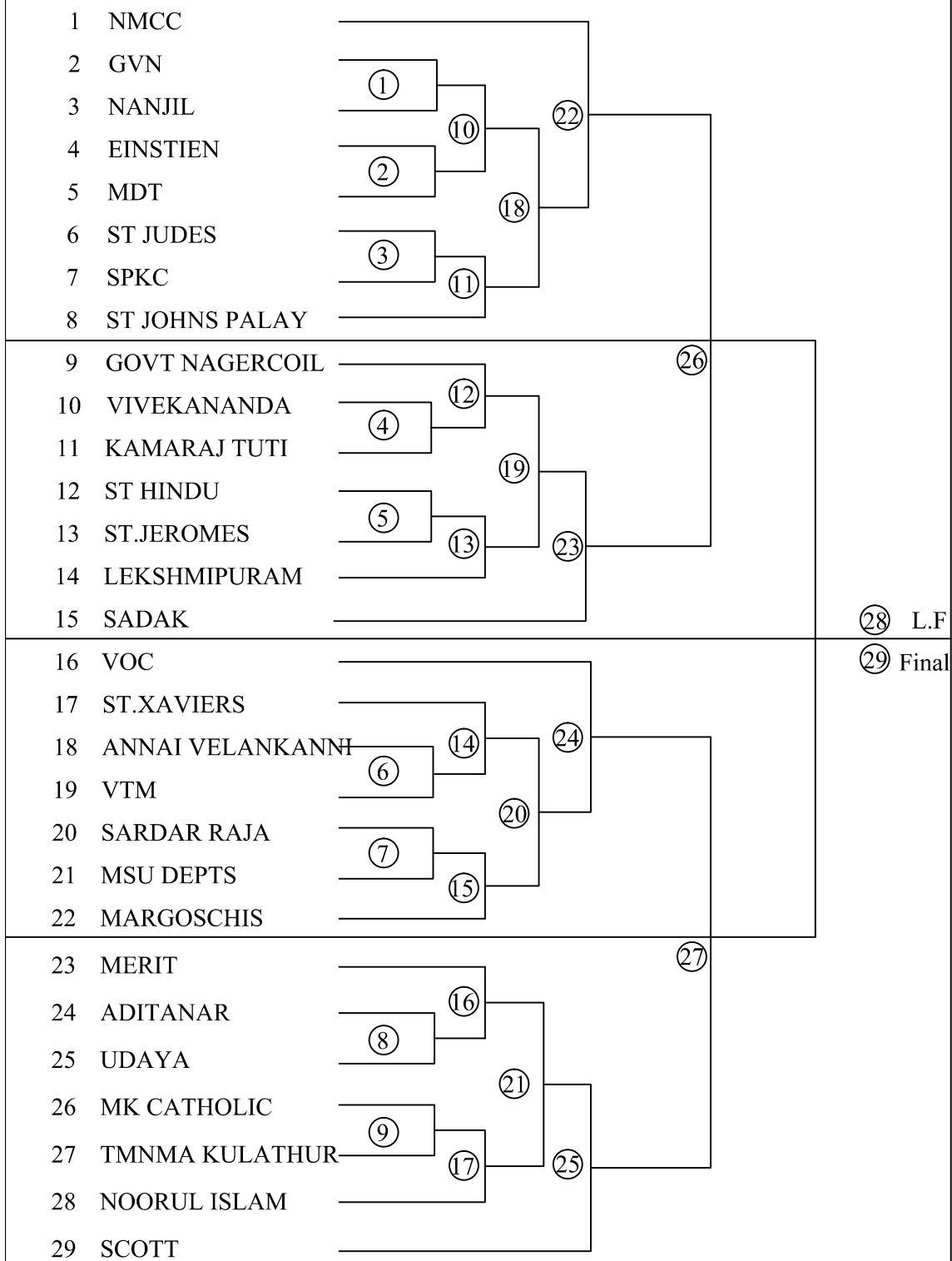


Manonmaniam Sundaranar University

CENTRE FOR PHYSICAL EDUCATION

Inter Collegiate Badminton(Men) Tournament 2018-2019

VENUE: NMCC	DATE:17,18,19 Sep 2018
-------------	------------------------



Reporting Time : 17 Sep 2018, 8am

Organising Secretary:Dr.M.Daniel Perinbaraj

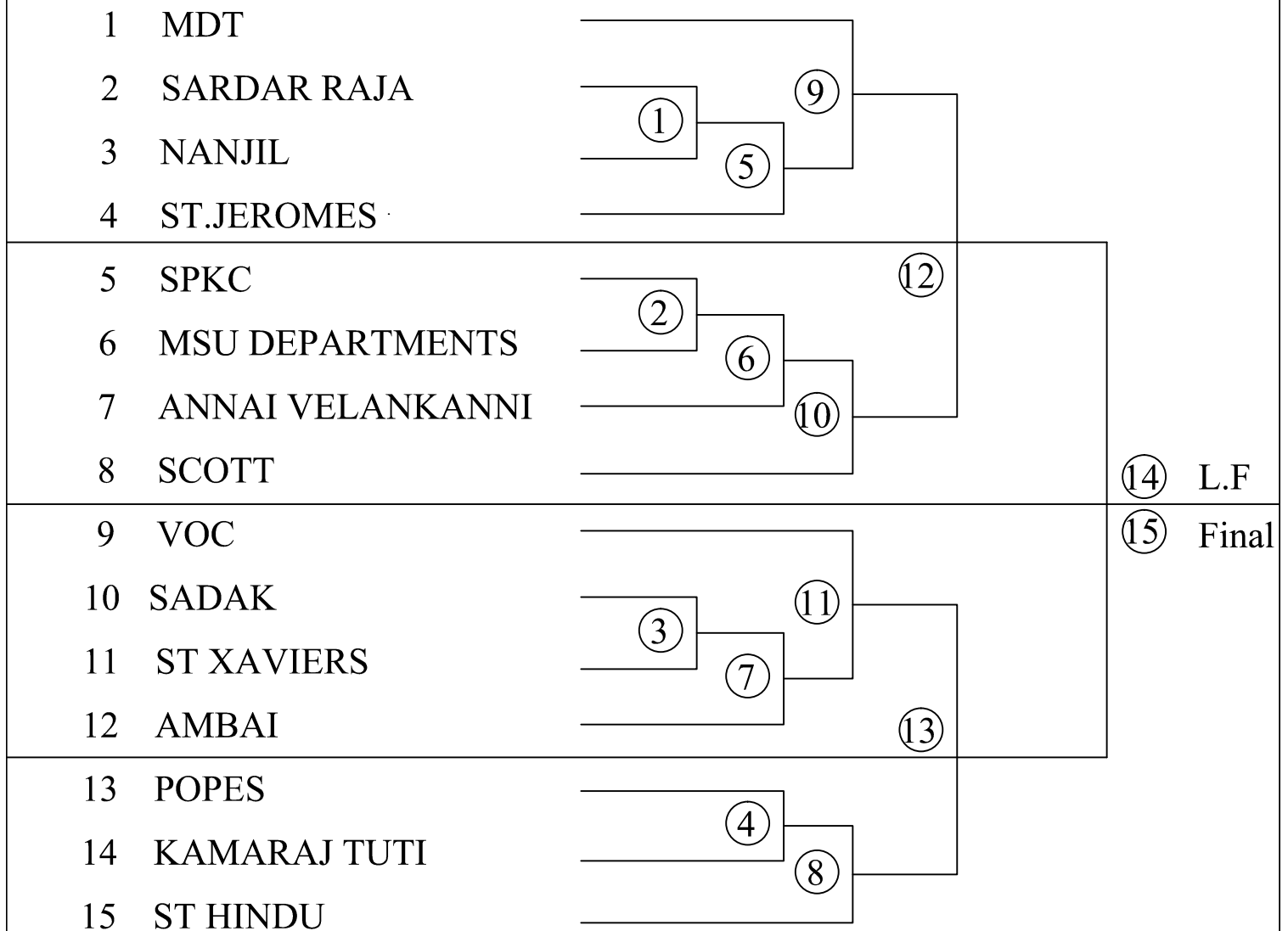
Ph No:9442305708

Manonmaniam Sundaranar University

Inter Collegiate Basketball(Men) Tournament 2018-2019

VENUE: MDT

DATE: 8&9 Oct 2018



Reporting Time : 8 Oct 2018, 8am

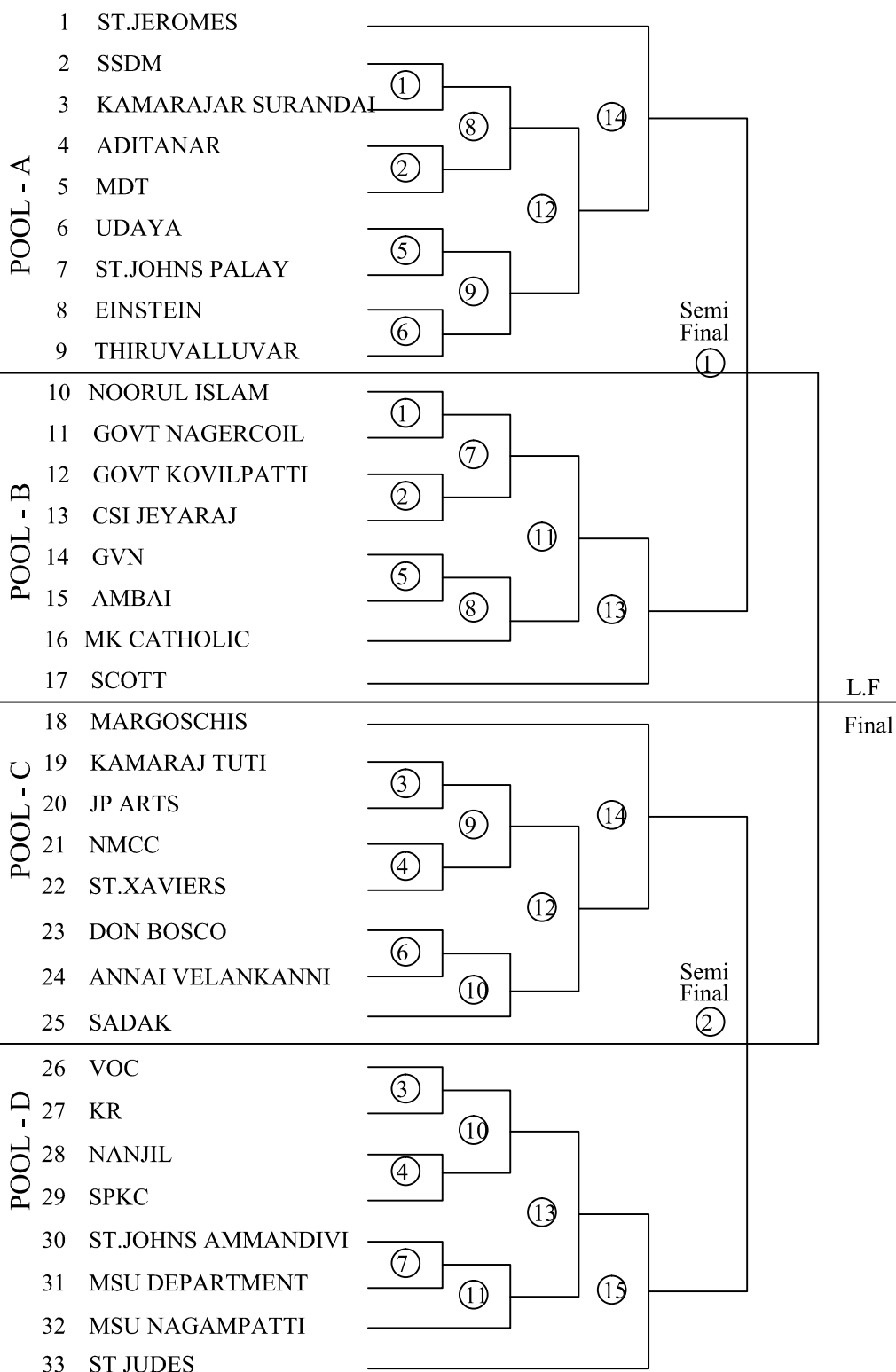
Organising Secretary: Dr. Kandasamy Ph No:9486614010

Manonmaniam Sundaranar University

Inter Collegiate Football(Men) Tournament 2018-2019

VENUE: SADAK , MSU DEPTS

DATE:27,28,29 Sep 2018



Reporting Time : 27 Sep 2018, 8am

POOL A & D at MSU- DEPTS

POOL B & C at SADAK

Organising Secretaries :Dr. S.Arumugam
 Dr. M.Syed Ali

Ph No: 9489233679
 Ph No: 9942322874

Manonmaniam Sundaranar University

CENTRE FOR PHYSICAL EDUCATION

Inter Collegiate Handball(Men) Tournament 2018-2019

VENUE: ALPHONSA

DATE:3,4,5 Oct 2018

1 SADAKATHULLAH

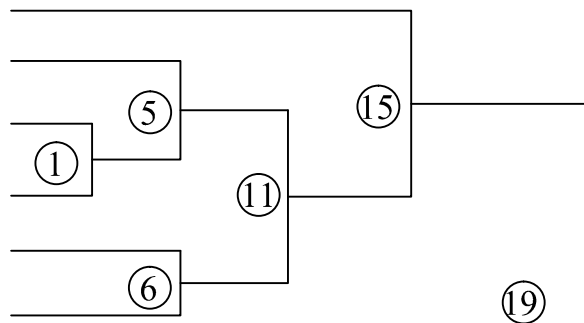
2 MSU DEP

3 NANJIL

4 K R ARTS

5 ST ALPHONSA

6 MDT



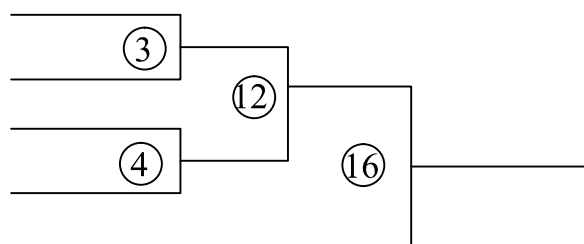
7 ST JEROMES

8 ADITANAR

9 LAKSHMI PURAM

10 N.M.C.C

11 VOC TUTI



(21) L.F

12 SCOTT

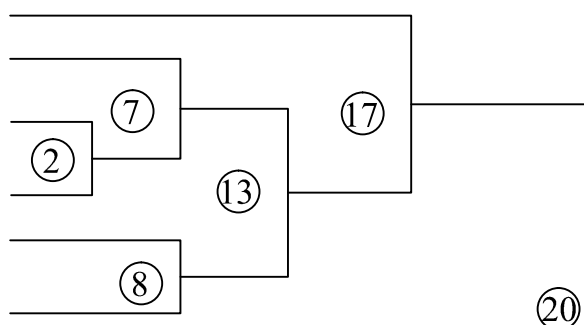
13 ST JUDES

14 GOVT NAGERCOIL

15 NOORUL ISLAM

16 ST HINDU

17 M K CATHOLIC



(22) Final

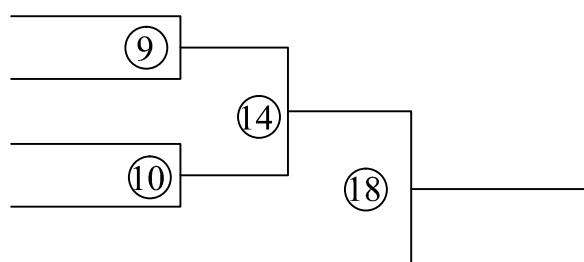
18 VTM ARTS

19 GVN

20 ANNAI VELAKANNI

21 SPKC

22 PMT



Reporting Time : 3 Oct 2018 8am

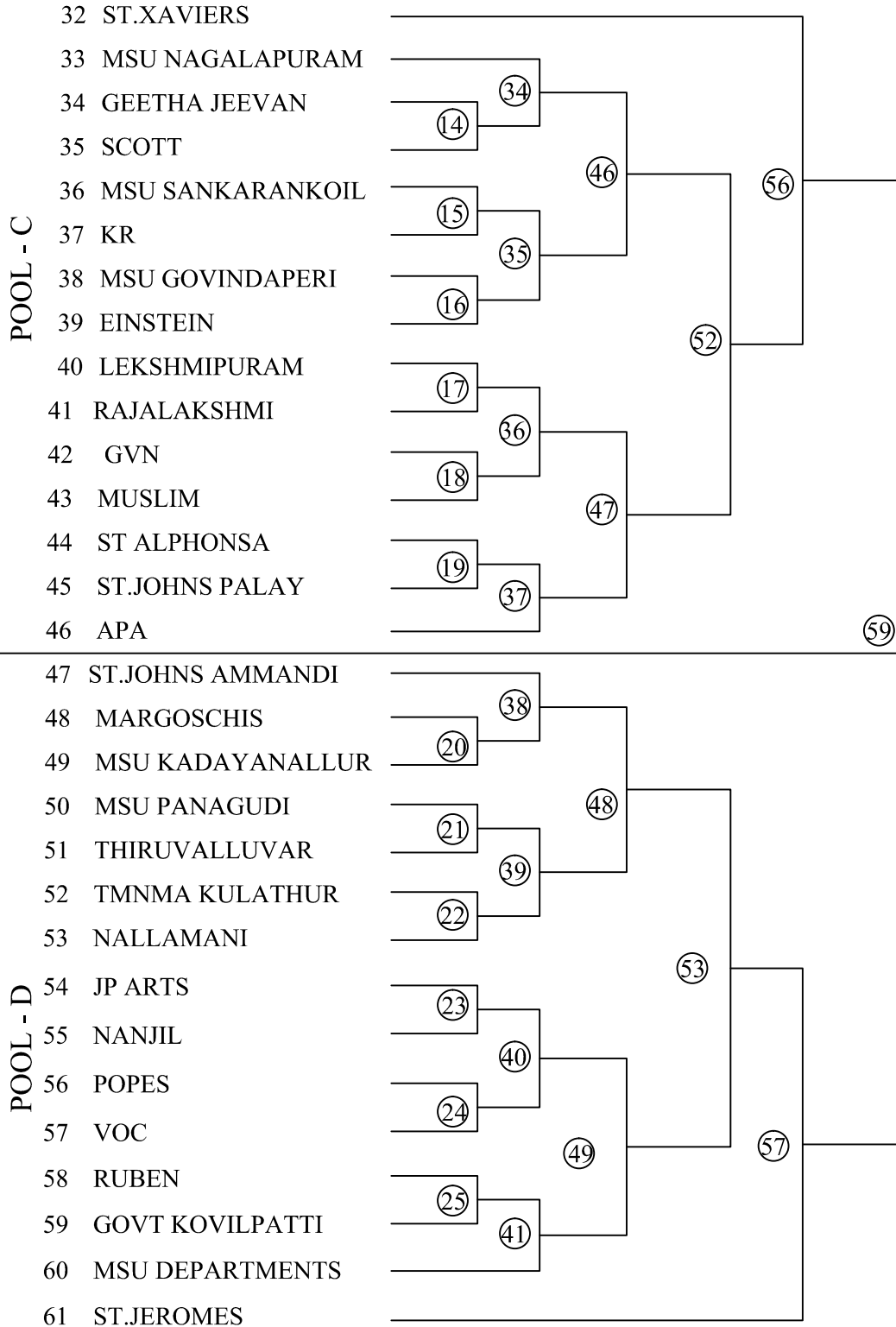
Organising Secretary: Mr.A.P.Seelan Ph No:9486000674

Manonmaniam Sundaranar University

Inter Collegiate Kabaddi(Men) Tournament 2018-2019

VENUE: NMCC

DATE:10,11,12,13 Oct 2018



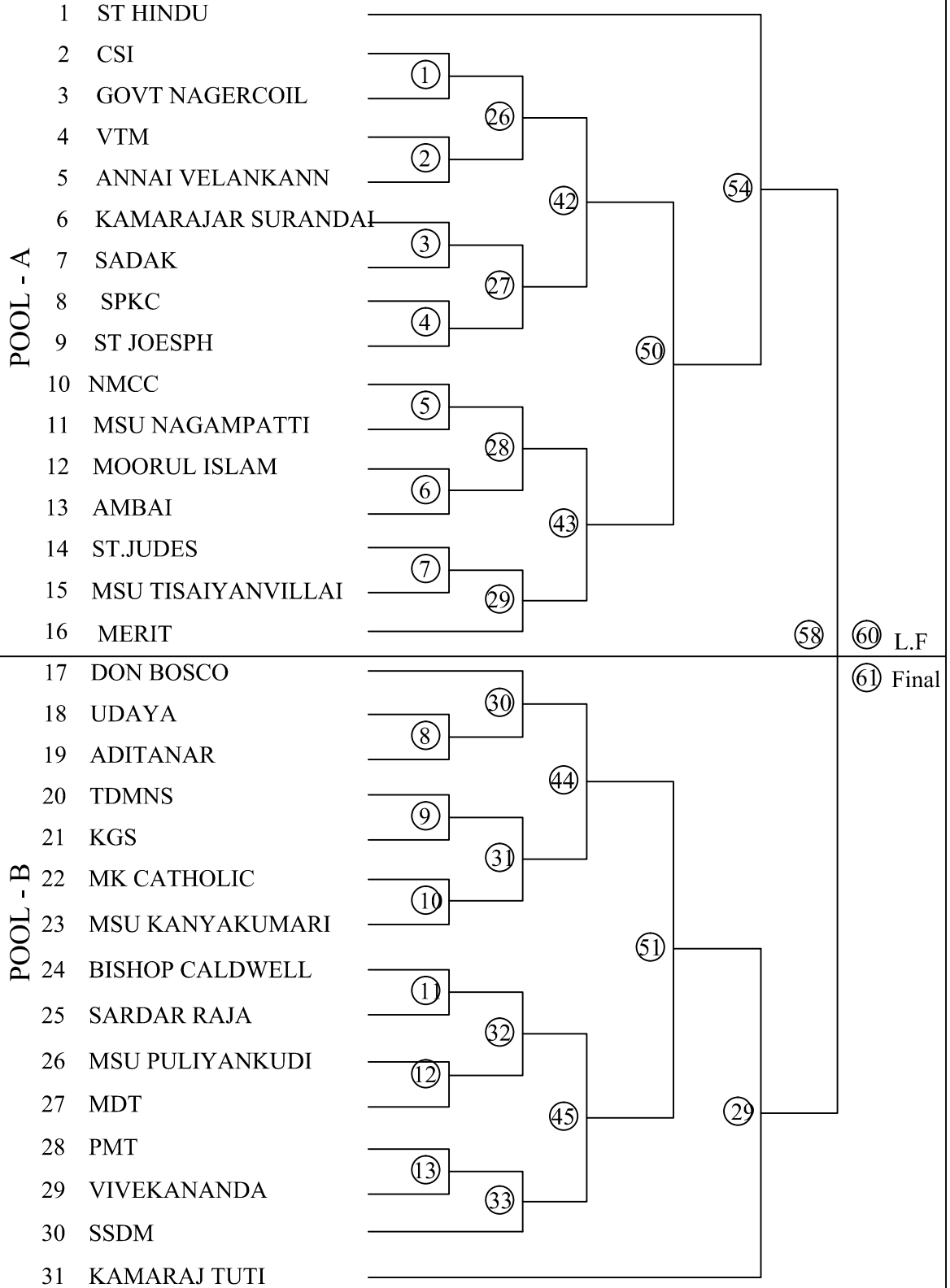
Reporting Time : 10 Oct 2018, 8am

Organising Secretary:Dr.M.Daniel Perinbaraj Ph No:9442305708

Manonmaniam Sundaranar University

Inter Collegiate Kabaddi(Men) Tournament 2018-2019

VENUE: NMCC	DATE:10,11,12,13 Oct2018
-------------	--------------------------



Reporting Time : 10 Oct 2018, 8am

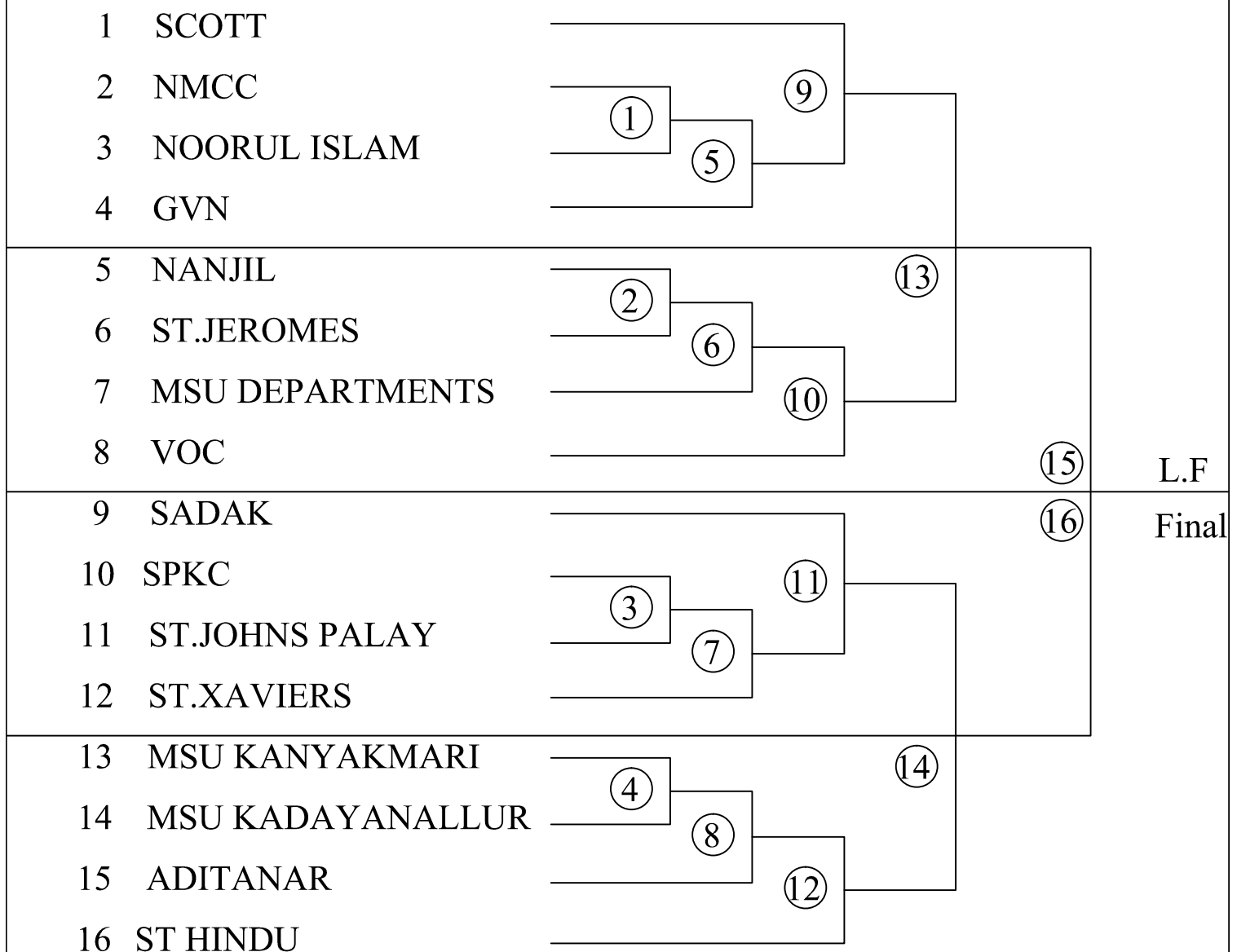
Organising Secretary:Dr.M.Daniel Perinbaraj Ph No:9442305708

Manonmaniam Sundaranar University

Inter Collegiate Table Tennis(Men) Tournament 2018-2019

VENUE: VOC

DATE: 10 Sep 2018



Reporting Time : 10 Sep 2018, 9am

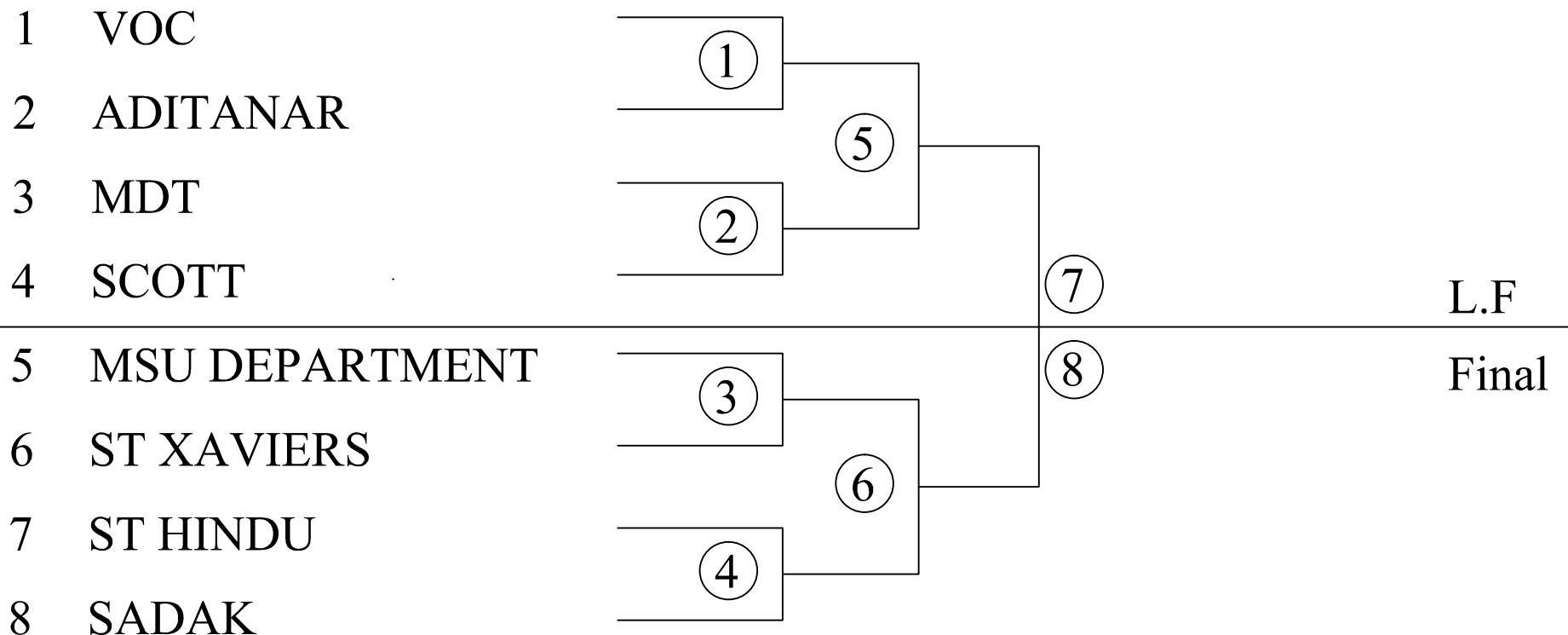
Organising Secretary:Dr. Sivagnanam Ph No:9843149748

Manonmaniam Sundaranar University

Inter Collegiate Tennis (Men) Tournament 2018-2019

VENUE: SADAK

DATE:15&16 Oct 2018



Reporting Time : 15Oct 2018, 8am

Organising Secretary:Dr. Syed Ali Ph No:9942322874

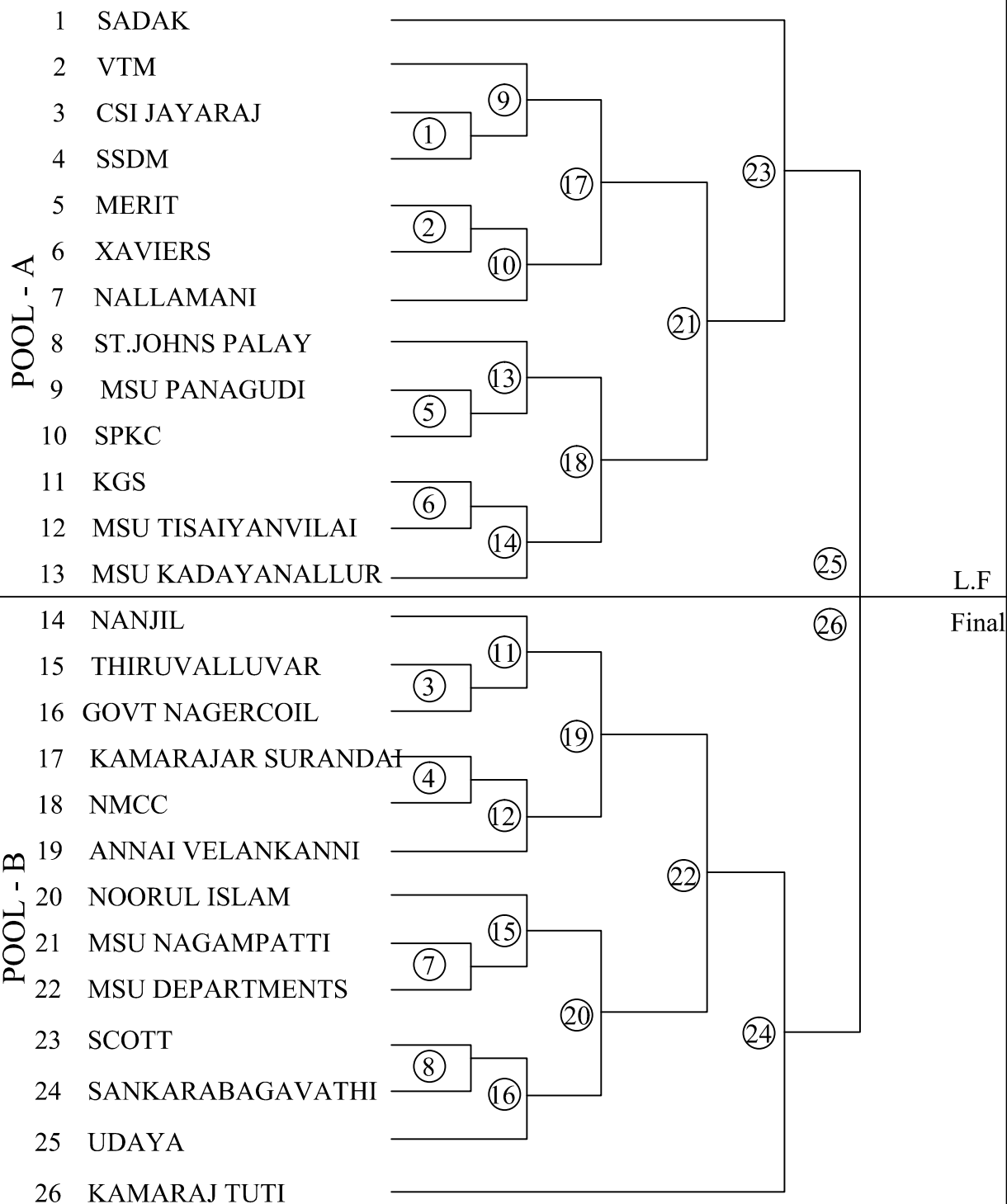
Manonmaniam Sundaranar University

CENTRE FOR PHYSICAL EDUCATION

Inter Collegiate Volleyball(Men) Tournament 2018-2019

VENUE: EINSTIEN

DATE:24,25,26 SEP 2018



Reporting Time : 24 Sep 2018, 8am

Organising Secretary:Mr.E.Nagarajan Ph No:7639495575

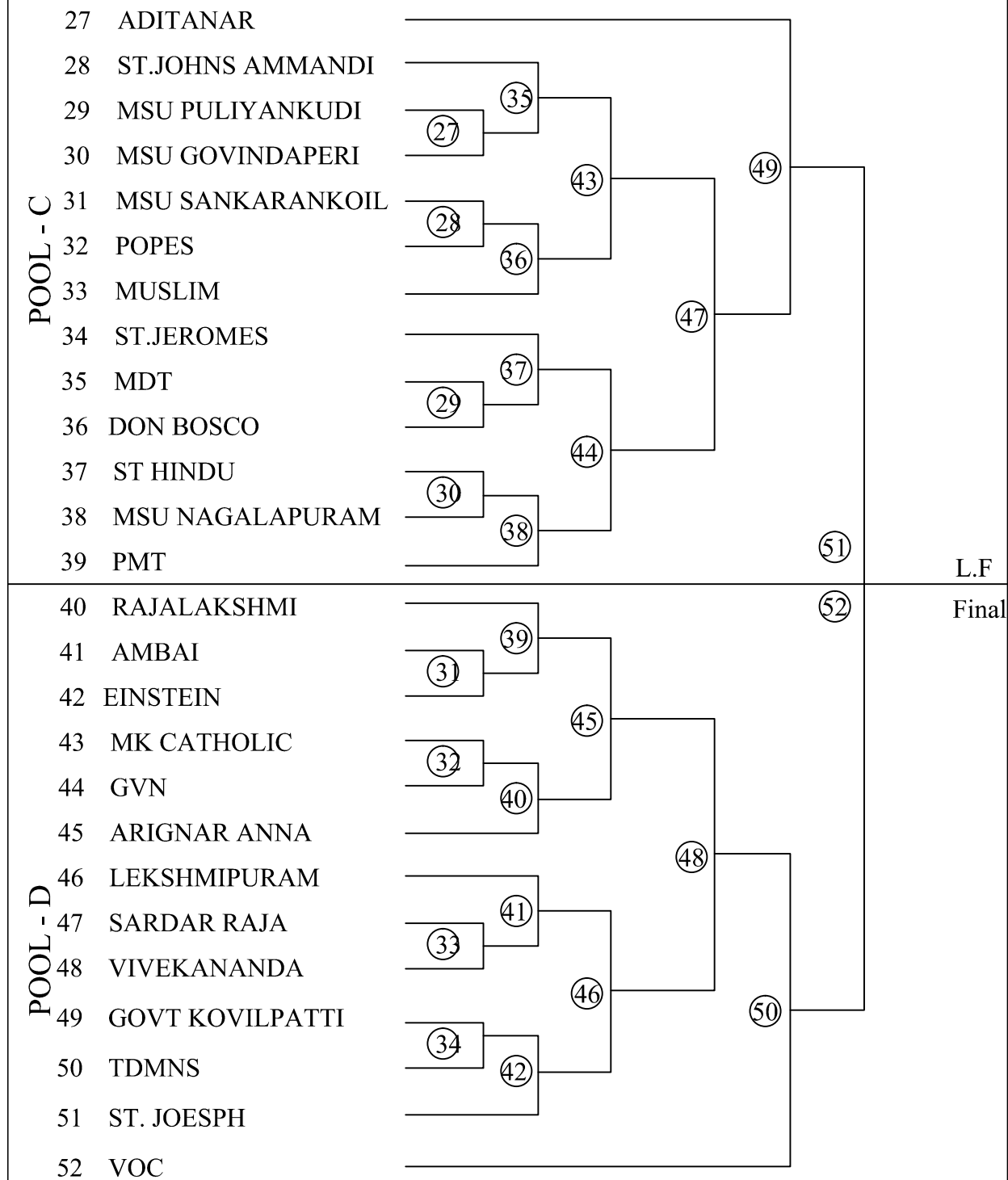
Manonmaniam Sundaranar University

CENTRE FOR PHYSICAL EDUCATION

Inter Collegiate Volleyball(Men) Tournament 2018-2019

VENUE: EINSTIEN

DATE:24,25,26 SEP 2018



Reporting Time : 24 Sep 2018, 8am

Organising Secretary:Mr.E.Nagarajan Ph No:7639495575